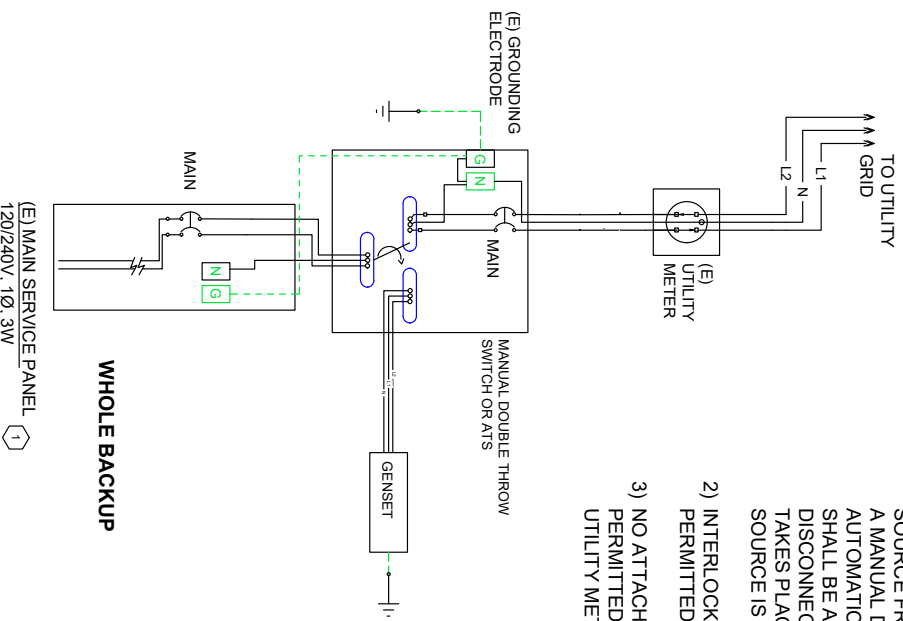
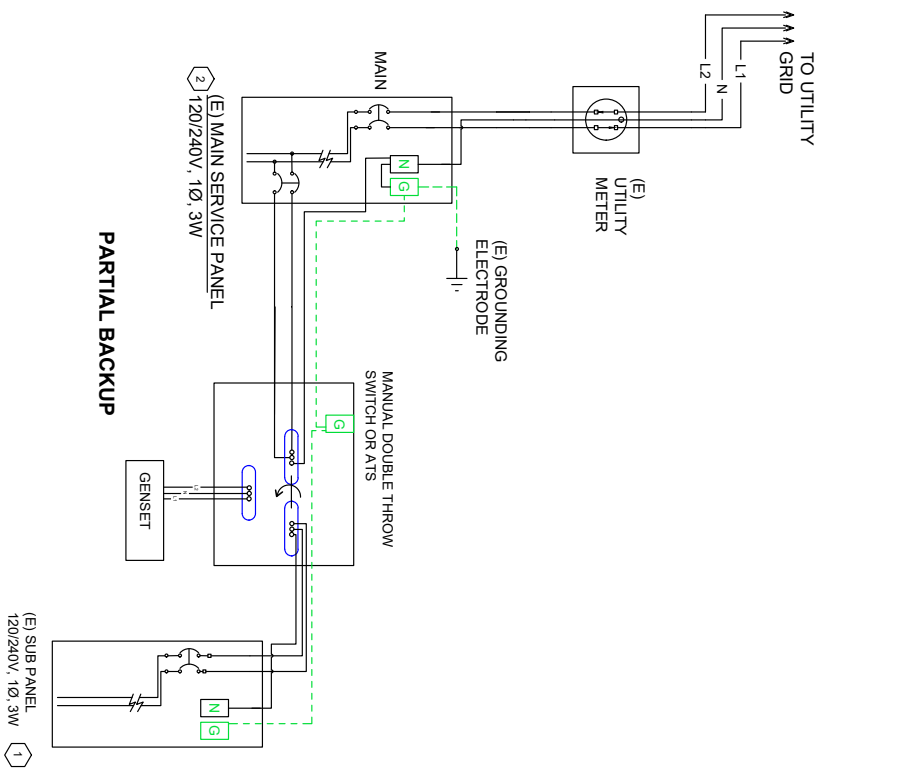


GENERATOR PARTIAL AND WHOLE SITE BACKUP

THIS DRAWING IS AN EXAMPLE ONLY, MEANT TO SHOW THE PROPER ISOLATION OF A BACKUP GENERATOR FROM THE TVEC DISTRIBUTION SYSTEM. ALL GENERATOR INSTALLATIONS SHALL BE IN COMPLIANCE WITH THE NEC & LOCAL GOVERNING REQUIREMENTS.



- NOTES:**
- 1) SEPERATION OF ANY ALTERNATE POWER SOURCE FROM THE UTILITY MUST BE DONE VIA A MANUAL DOUBLE THROW SWITCH OR AN AUTOMATIC TRANSFER SWITCH / ATS. THESE SHALL BE A BREAK-BEFORE-MAKE TYPE WHERE DISCONNECTION FROM THE UTILITY SOURCE TAKES PLACE BEFORE ANY ALTERNATE SOURCE IS ENGAGED.
 - 2) INTERLOCKING BREAKER DEVICES ARE NOT PERMITTED.
 - 3) NO ATTACHMENTS OR ISOLATION DEVICES ARE PERMITTED TO BE PLACED BETWEEN THE UTILITY METER AND THE METER BASE.

TRINITY VALLEY ELECTRIC CO.,P
1800 E. MULBERRY ST.
KATY, TX 75142
PHONE: +1 972 832 2214



GENERATOR PARTIAL AND WHOLE HOME BACKUP
THIS DRAWING IS AN EXAMPLE ONLY, MEANT TO SHOW THE PROPER ISOLATION OF A BACKUP GENERATOR FROM THE TVEC DISTRIBUTION SYSTEM. ALL GENERATOR INSTALLATIONS SHALL BE IN COMPLIANCE WITH THE NEC & LOCAL GOVERNING REQUIREMENTS.

PAGE: